

Distributed by:



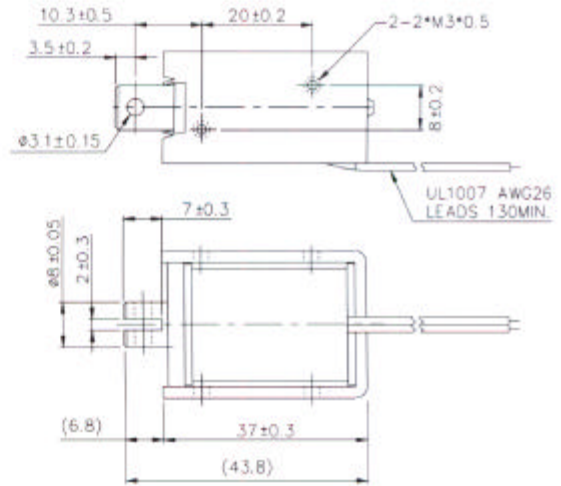
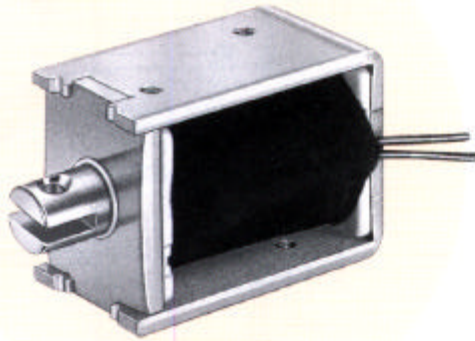
www.Jameco.com ♦ 1-800-831-4242

The content and copyrights of the attached material are the property of its owner.



Jameco Part Number 262262 (SMO-0837L12STD)

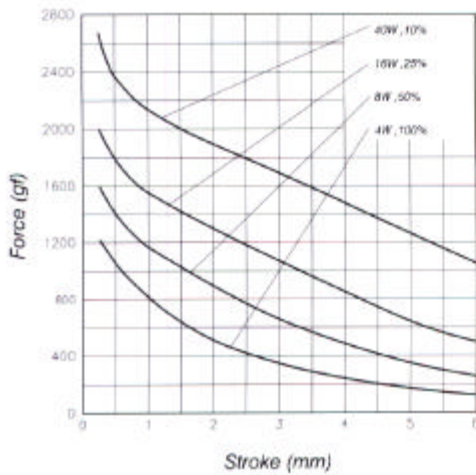
SMO-0837L Open Frame Solenoids



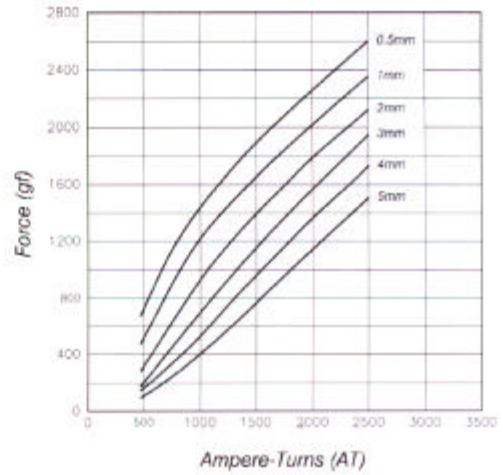
Plunger Weight 可動鐵心重量 : 12g
Total Weight 總重量 : 96g

Shown Energized 通電狀態 UNIT 單位 : mm

STROKE Vs FORCE 行程 / 吸引力



AMPERE-TURNS Vs FORCE 安-匝 / 吸引力



COIL DATA 線圈資料

$\text{Duty cycle (\%)} = \frac{\text{"ON" time}}{\text{"ON" time} + \text{"OFF" time}} \times 100\%$			Continuous (100%)	Or less (50%)	Or less (25%)	Or less (10%)
$\text{作動週期 (\%)} = \frac{\text{ON 時間}}{\text{ON 時間} + \text{OFF 時間}} \times 100\%$			連續 (100%)	間斷 (50%)	間斷 (25%)	間斷 (10%)
MAX. "on" time in seconds 最大 ON 時間 (秒)			∞	100	36	7
Watts at 20°C 瓦特數 (W) (在 20°C)			4	8	16	40
Ampere-turns at 20°C AT 值 (在 20°C)			666	941	1332	2106
Type no.	Resistance (20°C) Ω ± 10%	No. turns	Volts DC 電壓			
型號	阻值 (Ω) ± 10%	繞線圈數				
SMO-0837L06AA	9	1000	6	8.5	12	19
SMO-0837L12AA	36	2000	12	17	24	38
SMO-0837L24AA	144	4000	24	34	48	76
SMO-0837L48AA	576	7540	48	68	96	152