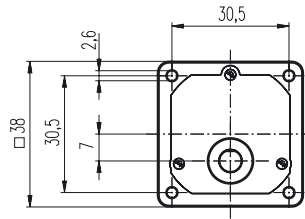
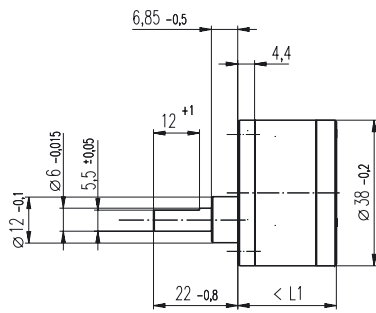


# Spur Gearhead GS 38 $\varnothing 38$ mm, 0.1 - 0.6 Nm



M 1:2

## Technical Data

Spur Gearhead	straight teeth
Output shaft	stainless steel, hardened
Bearing at output	sleeve bearing
Radial play, 5 mm from flange	max. 0.1 mm
Axial play	0.03 - 0.2 mm
Max. radial load, 5 mm from flange	50 N
Max. permissible axial load	30 N
Max. permissible force for press fits	500 N
Average backlash no load	2°
Backlash at nominal no load	3°
Recommended input speed	< 5000 rpm
Recommended temperature range	-5 ... +80°C

- Stock program
- Standard program
- Special program (on request!)

## Order Number

110451	110452	110453	110454	110455	110456	110457	110458	110459
--------	--------	--------	--------	--------	--------	--------	--------	--------

## Gearhead Data

	110451	110452	110453	110454	110455	110456	110457	110458	110459
1 Reduction	6 : 1	10 : 1	18 : 1	30 : 1	60 : 1	100 : 1	200 : 1	500 : 1	900 : 1
2 Reduction absolute	6	10	18	30	60	100	200	500	900
3 Max. motor shaft diameter mm	3	3	3	3	3	3	3	3	3
4 Number of stages	2	2	3	3	4	4	5	6	6
5 Max. continuous torque Nm	0.1	0.1	0.2	0.2	0.3	0.6	0.6	0.6	0.6
6 Intermittently permissible torque at gear output Nm	0.3	0.3	0.6	0.6	0.9	1.8	1.8	1.8	1.8
7 Sense of rotation, drive to output	=	=	≠	≠	=	=	≠	=	=
8 Max. efficiency %	81	81	73	73	66	66	59	53	53
9 Weight g	55	55	60	60	65	65	70	75	75
10 Mass inertia gcm <sup>2</sup>	0.7	0.6	0.4	0.4	0.3	0.2	0.2	0.2	0.2
11 Gearhead length L1 mm	20.6	20.6	23.1	23.1	25.6	25.6	28.1	30.6	30.6



## Combination

+ Motor	Page	+ Tacho / Encoder / Brake	Page	Overall length [mm]	= Motor length + gearhead length + (tacho / encoder / brake) + assembly parts															
F 2140, 4 W	92			64.7	64.7	67.2	67.2	69.7	69.7	72.2	74.7	74.7								
F 2140, 6 W	93			68.7	68.7	71.2	71.2	73.7	73.7	76.2	78.7	78.7								
F 2140, 6 W	94			67.7	67.7	70.2	70.2	72.7	72.7	75.2	77.7	77.7								
F 2140, 6 W	94	Enc 22	241	86.2	86.2	88.7	88.7	91.2	91.2	93.7	96.2	96.2								
A-max 26	113-120			65.4	65.4	67.9	67.9	70.4	70.4	72.9	75.4	75.4								
A-max 26	113-119	MEnc 13	251	72.5	72.5	75.0	75.0	77.5	77.5	80.0	82.5	82.5								
A-max 26	114-120	MR	238	74.2	74.2	76.7	76.7	79.2	79.2	81.7	84.2	84.2								
A-max 26	114-120	Enc 22	241	79.8	79.8	82.3	82.3	84.8	84.8	87.3	89.8	89.8								
A-max 26	114-120	HED_5540	243/245	84.2	84.2	86.7	86.7	89.2	89.2	91.7	94.2	94.2								
A-max 32	121/123			83.6	83.6	86.1	86.1	88.6	88.6	91.1	93.6	93.6								
A-max 32	122/124			82.2	82.2	84.7	84.7	87.2	87.2	89.7	92.2	92.2								
A-max 32	122/124	MR	239	93.4	93.4	95.9	95.9	98.4	98.4	100.9	103.4	103.4								
A-max 32	122/124	HED_5540	243/245	103.0	103.0	105.5	105.5	108.0	108.0	110.5	113.0	113.0								
RE-max 21	135/136			49.6	49.6	52.1	52.1	54.6	54.6	57.1	59.6	59.6								
RE-max 21	136	MR	235/236	54.7	54.7	57.2	57.2	59.7	59.7	62.2	64.7	64.7								
RE-max 21	137/138			52.2	52.2	54.7	54.7	57.2	57.2	59.7	62.2	62.2								
RE-max 21	138	MR	235/236	56.5	56.5	59.0	59.0	61.5	61.5	64.0	66.5	66.5								
RE-max 24	139-142			52.6	52.6	55.1	55.1	57.6	57.6	60.1	62.6	62.6								
RE-max 24	140/142	MR	236/236	57.6	57.6	60.1	60.1	62.6	62.6	65.1	67.6	67.6								