

### 6.0 mm×3.5 mm Square Light Touch Switches

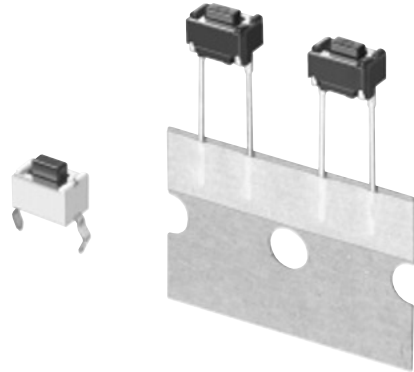
Japan

Type: **EVQPJ**

6.0 mm×3.5 mm size, narrow width type

#### ■ Features

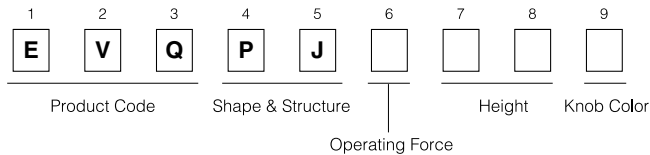
- 6.0 mm×3.5 mm-type for space saving, high-density installation
- Excellent distinct click feeling
- Wave soldering available
- Excellent soldering heat endurance due to heat-resistant resin
- Excellent mounting efficiency with radial taping package



#### ■ Recommended Applications

- Car Audio Equipment
- Compact Disc Players
- Operating switches for Electronic Equipment

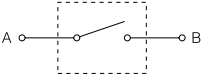
#### ■ Explanation of Part Numbers



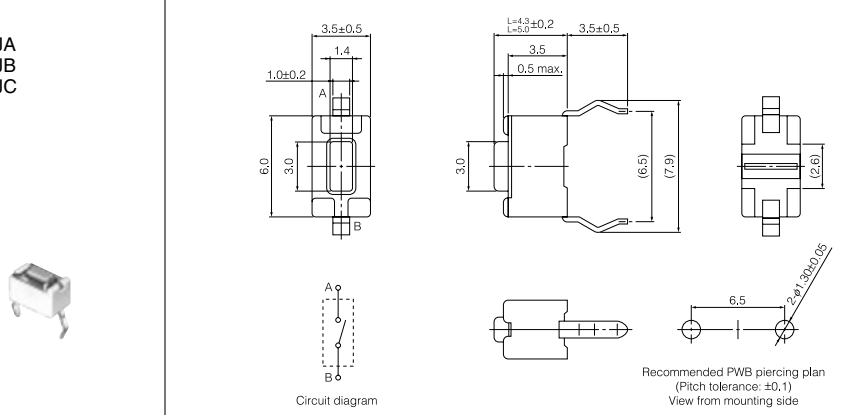
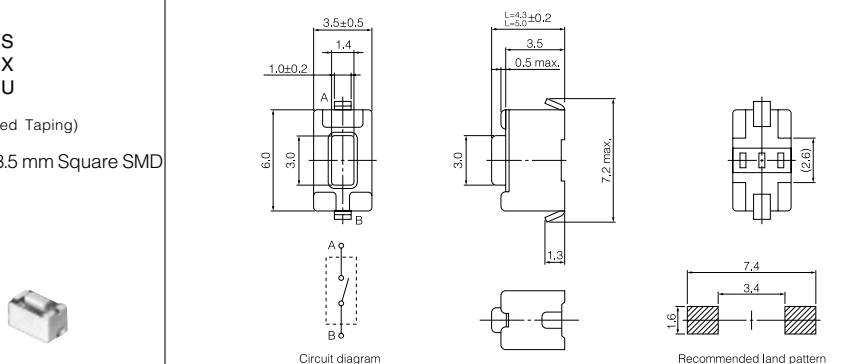
#### ■ Product Chart

Operating Force \ Type	Bulk Type	SMD	Radial Taping	Height
1.0 N±0.5 N	EVQPJA	EVQPJS	EVQPJG	H=4.3 mm H=5.0 mm
1.6 N±0.5 N	EVQPJB	EVQPJX	EVQPJH	
2.4 N±0.6 N	EVQPJC	EVQPJU	EVQPJJ	

### Major Specifications

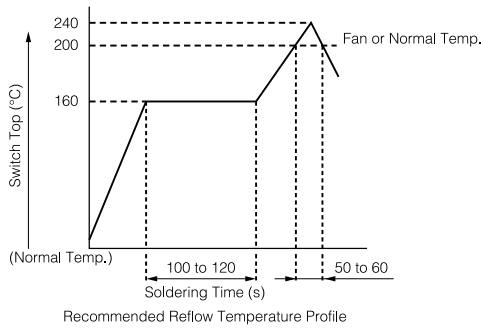
Type	Snap action/Push-on type SPST		
Electrical	Circuit Diagram		
	Rating	50 mA 12 Vdc	
	Contact Resistance	100 mΩ max.	
	Insulation Resistance	100 MΩ min. (at 100 Vdc)	
	Dielectric Withstanding Voltage	250 Vac for 1 minute	
	Bouncing	10 ms max.	
Mechanical	Operating Force	1.0 N±0.5 N (Low force type) 1.6 N±0.5 N (Standard)	2.4 N±0.6 N
	Travel	0.25 mm <sup>+0.20</sup> <sub>-0.10</sub> mm	
Endurance	Operating Life	50000 cycles min.	30000 cycles min.
	Operating Temperature	-30 °C to +85 °C	
	Storage Temperature	-40 °C to +85 °C (Bulk) -20 °C to +40 °C (Taping)	
Minimum Quantity/ Packing Unit	EVQPJA EVQPJB EVQPJC	1000 pcs. (Vinyl Bag)	
	EVQPJS EVQPJX EVQPJU	2000 pcs. (Reel Pack) (H = 5.0 mm)	2500 pcs. (Reel Pack) (H = 4.3 mm)
	EVQPJG EVQPJH EVQPJJ	2000 pcs. (Radial Taping)	
Quantity/Carton	EVQPJA EVQPJB EVQPJC	10000 pcs.	
	EVQPJS EVQPJX EVQPJU	10000 pcs. (H = 5.0 mm)	12500 pcs. (H = 4.3 mm)
	EVQPJG EVQPJH EVQPJJ	20000 pcs.	

### ■ Dimensions in mm (not to scale)

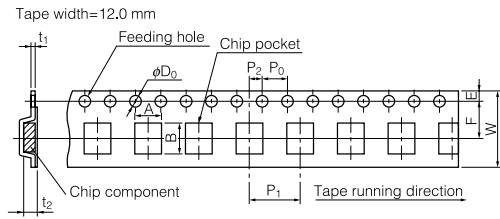
No. 1				
Japan EVQPJA EVQPJB EVQPJC (Bulk)				
				
Part Numbers	Operating Force	Height	Knob Color	Operating Life
EVQPJA04Q	1.0 N	4.3 mm	Grey	50000 cycles
EVQPJA05Q	1.0 N	5.0 mm	Grey	50000 cycles
EVQPJB04K	1.6 N	4.3 mm	Black	50000 cycles
EVQPJB05K	1.6 N	5.0 mm	Black	50000 cycles
EVQPJC04T	2.4 N	4.3 mm	Brown	30000 cycles
EVQPJC05T	2.4 N	5.0 mm	Brown	30000 cycles
No. 2				
Japan EVQPJS EVQPJX EVQPJU (Embossed Taping) 6 mm×3.5 mm Square SMD				
				
Part Numbers	Operating Force	Height	Knob Color	Operating Life
EVQPJS04K	1.0 N	4.3 mm	Black	50000 cycles
EVQPJS05K	1.0 N	5.0 mm	Black	50000 cycles
EVQPJX04M	1.6 N	4.3 mm	Natural	50000 cycles
EVQPJX05M	1.6 N	5.0 mm	Natural	50000 cycles
EVQPJU04K	2.4 N	4.3 mm	Black	30000 cycles
EVQPJU05K	2.4 N	5.0 mm	Black	30000 cycles



### Recommended Reflow Soldering Conditions



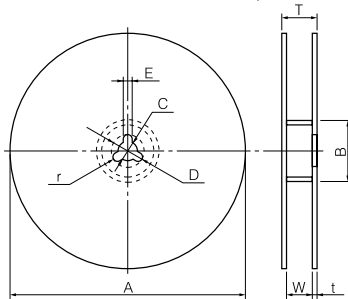
### Embossed Carrier Taping



Unit: mm

Part No.	Height	A	B	W	F	E	P <sub>1</sub>	P <sub>2</sub>	P <sub>0</sub>	D <sub>0</sub> Dia.	t <sub>1</sub>	t <sub>2</sub>
EVQPJS												
EVQPJX	4.3/5.0	4.45±0.20	7.25±0.20	12.0±0.3	5.5±0.1	1.75±0.10	8.0±0.1	2.0±0.1	4.0±0.1	1.5 <sup>+0.1</sup> <sub>0</sub>	0.30±0.05	4.5/5.2±0.2
EVQPJU												

### Standard Reel Dimensions in mm (not to scale)



Item	A	B	C	D	E
Rate (mm)	φ370.0±2.0	φ50.0 min.	φ13.0±0.5	φ21.0±1.0	2.0±0.5
Item	W	T	t	r	
Rate (mm)	14.0±1.5	—	1.0 to 3.0	1.0±0.5	