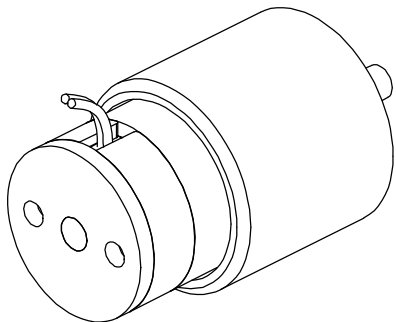
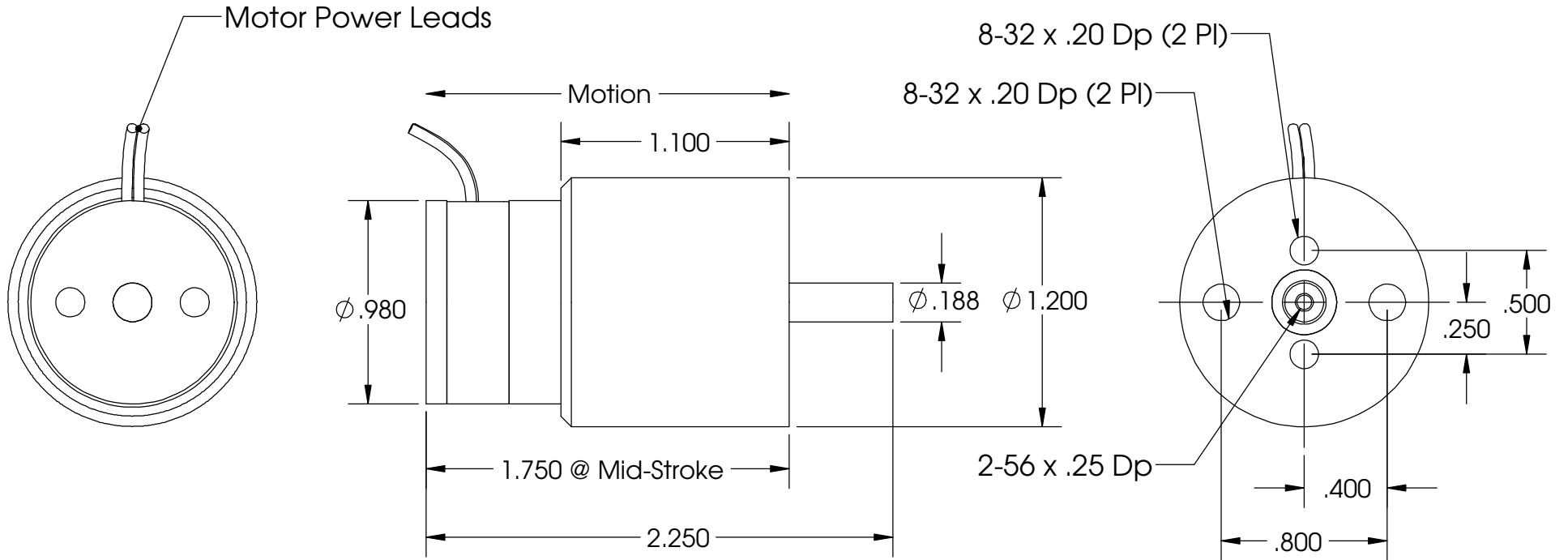


These drawings and specifications are the property of H2W Technologies, Inc. They are issued in confidence and shall not be reproduced, copied, or used without written permission from H2W Technologies, Inc. (www.h2wtech.com)



H2W Technologies, Inc.
 26470 Ruether Ave #102 Santa Clarita, CA 91350 USA
 Tel: (661) 251-2081 Fax: (661) 251-2067
 www.h2wtech.com

UNLESS SPECIFIED OTHERWISE: All dimensions are in inches Standard Tolerances are as follows: .XXX ±.005 ANGLES +1° .XX ±.010 FILLETS .010 X ±.020 CORNERS .010 Remove All Burrs and Sharp Edges				MATERIAL		TITLE	
				FINISH		Moving Coil Non-Comm Actuator Model #NCC05-11-011-1PBS	
DRAWN	DATE	APPROVED	DATE	DWG #	REV	SHEET	
OOG	11-9-11	MPW	11-9-11	30-1009	---	1 of 2	

MOVING COIL NON-COMM ACTUATOR SPECIFICATIONS		
Motor P/N	NCC05-11-011-1PBS	
Stroke	0.50"	12.7 mm
Radial Clearance	0.015" per side	0.38 mm per side
Bearing Type	Linear Bushing	
Moving Mass	0.10 lbs	44 grams
Total Mass	0.25 lbs	110 grams
Resistance @ 20C	3.0 ohms	
Inductance @ 20C	1.0 mH	
Electrical Time Constant	0.33 msec	
Motor Constant	0.67 LBS/SQRT(Watt)	2.98 N/SQRT(Watt)
Force Constant	1.2 LBS/Amp	5.2 N/Amp
Back EMF	0.13 V/ips	5.2 V/m/sec
Continuous Force	1.1 LBS	4.9 N
Max Power @ 100% Duty	3 Watts	
Peak Force	3.3 LBS	14.7 N
Max Power @ 10% Duty	24 Watts	

TITLE	Moving Coil Non-Comm Actuator Model #NCC05-11-011-1PBS		
DWG #	31-1009	REV	---
		SHEET	2 of 2