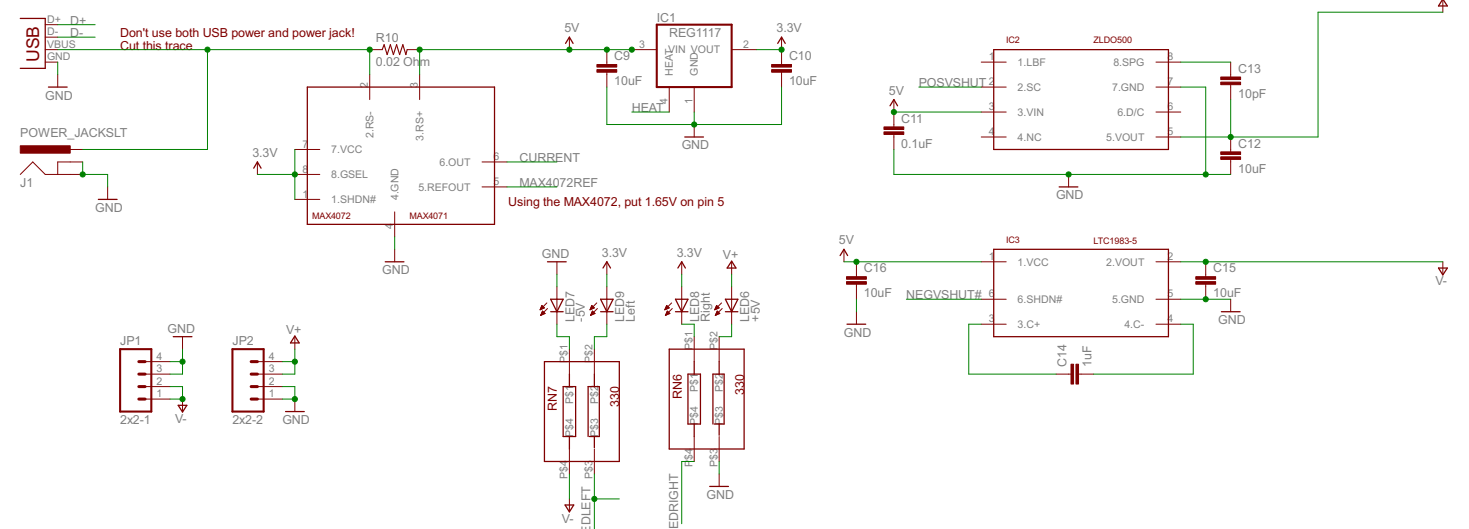
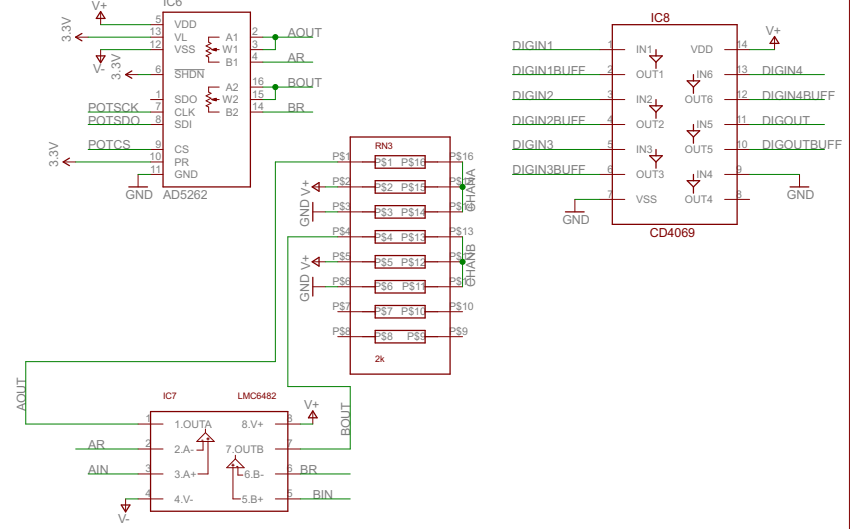


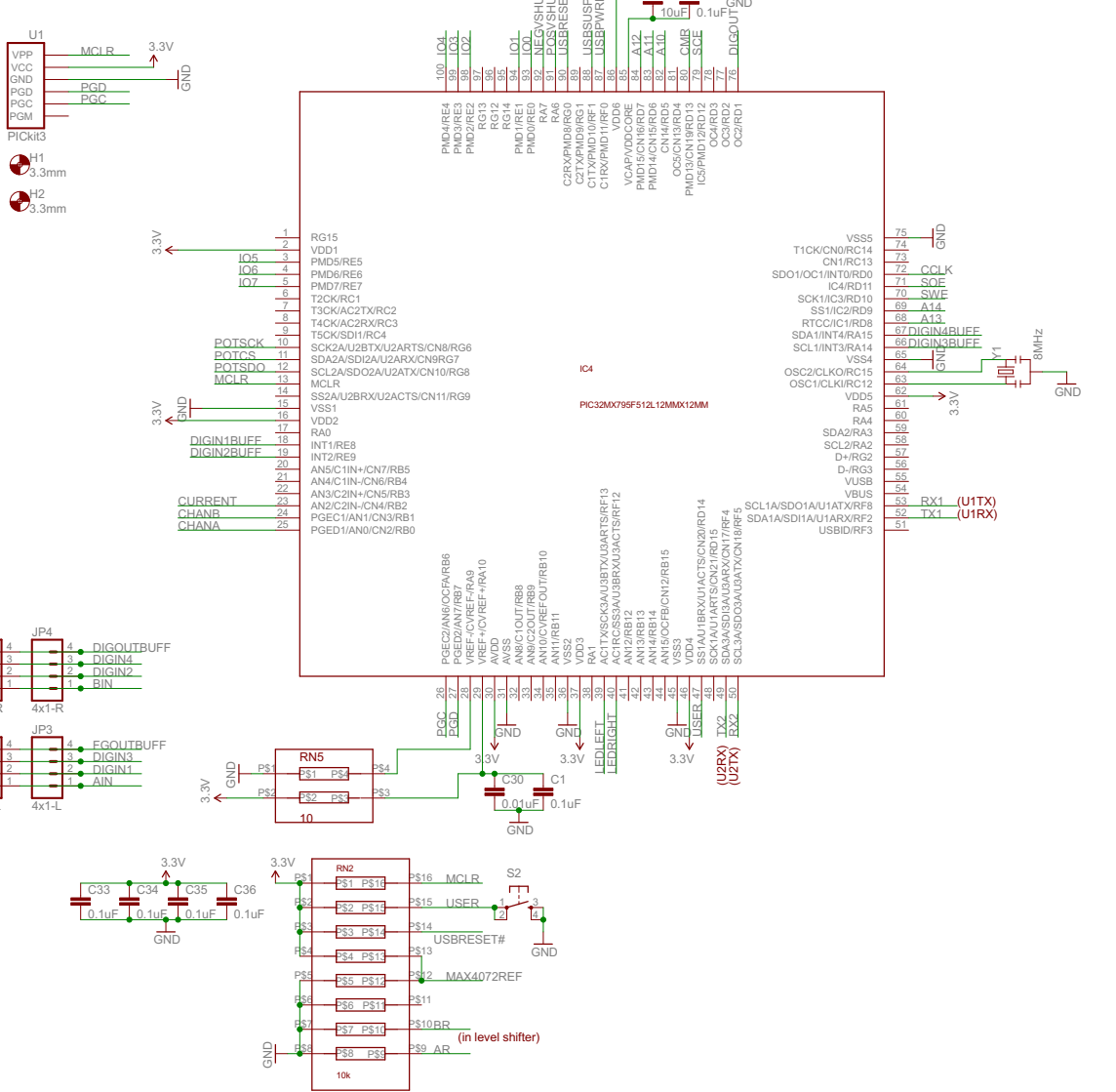
Power



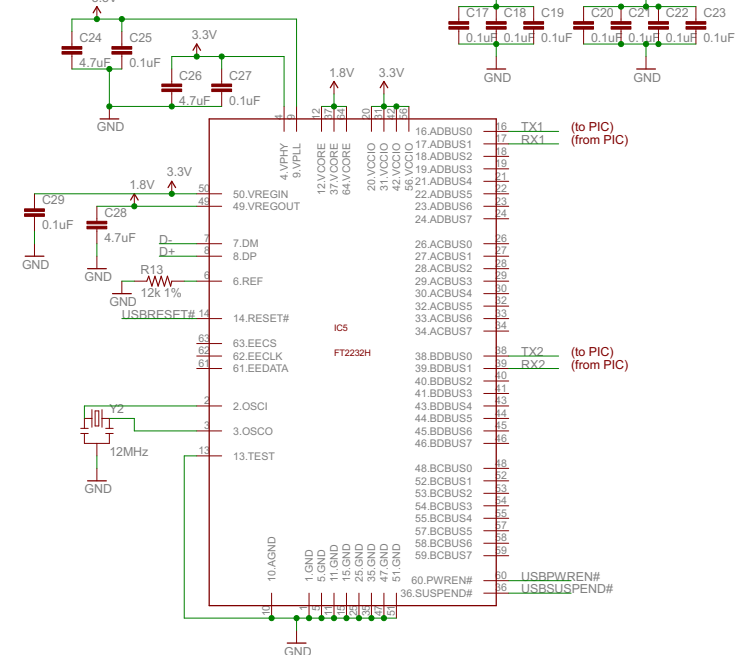
Amp and level shift



PIC32



Communication



Function Generator Circuit

